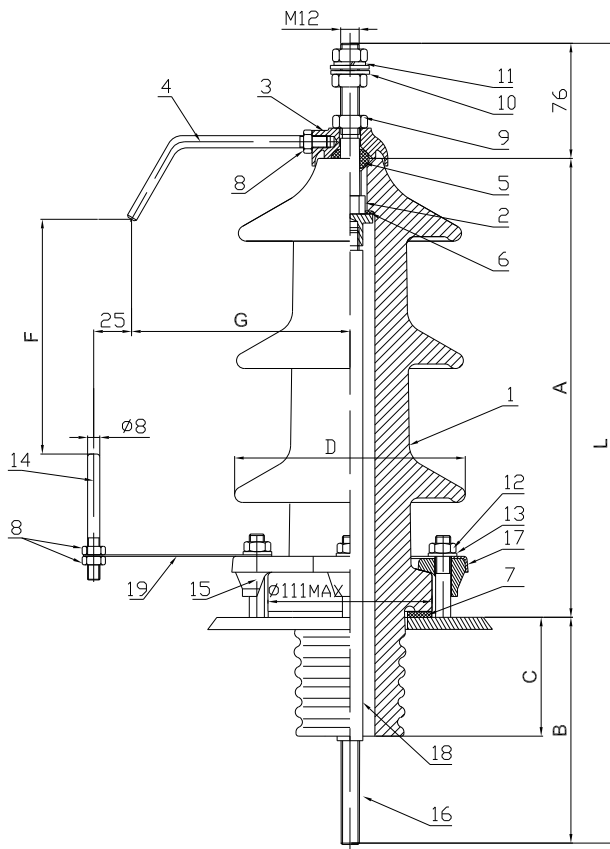


DIN 42531-68

H.V BUSHING
INSULATORS 12 ÷ 36KV 250A



IDENTIFICATION	VOLTAGE TIGHTNESS			CREEPAGE DISTANCE MIN.(mm)	ARCING DISTANCE MIN.(mm)	LEE PROTECTED LINE MIN.(mm)	ITEMS	DESCRIPTION	Q'TY										
	RATED VOLTAGE (kV)	RATED CURRENT (A)	LIGHTING IMPULSE(kV)																
DIN 42531-68	12	250	75	-	28	295	85	48	1	1	1	1	1	1	1	1	1	1	1
DIN 42531-68	24	250	125	-	50	445	155	90	1	1	1	1	1	1	1	1	1	1	1
DIN 42531-68	36	250	170	-	70	600	220	120	1	1	1	1	1	1	1	1	1	1	1
36kV/250A	409	135	620	76	ø155	220	170	4	ø78	7.5 kg									
24kV/250A	309	135	520	76	ø155	155	150	3	ø78	6.1 kg									
12kV/250A	234	120	430	61	ø140	85	150	2	ø78	4.5 kg									
TYPE	A	B	L	C	D(Max)	F	G	N° of sheds	Tank Hole	Weight									