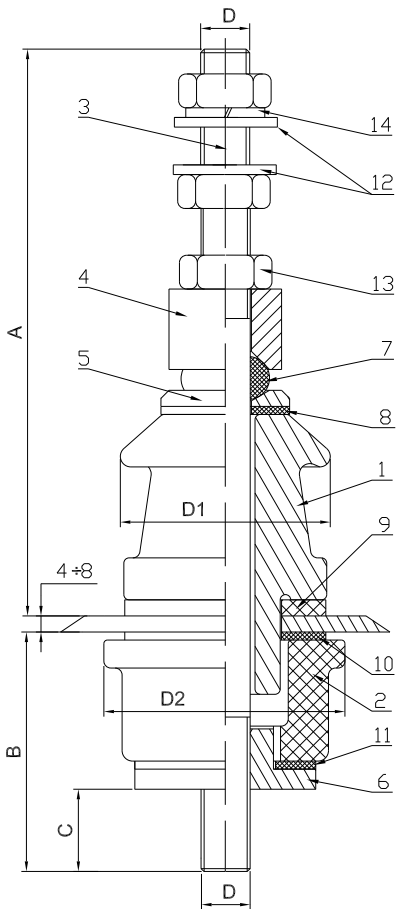


# DIN 42530-68

L.V BUSHING  
INSULATORS 1KV / 250+ 630A



IDENTIFICATION		VOLTAGE TIGHTNESS		POWER FREQUENCY (kV)		CREEPAGE DISTANCE MIN.(mm)	ARCING DISTANCE MIN.(mm)	LEE PROTECTED LINE MIN.(mm)	ITEMS	DESCRIPTION	Q'TY
ACCORDING TO STANDARD	RATED VOLTAGE (kV)	RATED CURRENT (A)	LIGHTING IMPULSE(kV)	DRY	WET						
DIN 42530-68	1	250	-	-	-	60	50	10	1	UPPER PORCELAIN	1
									2	LOWER PORCELAIN	1
									3	BOLT	1
									4	UPPER WASHER	1
									5	MIDDLE WASHER	1
									6	LOWER WASHER	1
									7	GASKET	1
									8	GASKET	1
									9	GASKET	1
									10	GASKET	1
									11	GASKET	1
									12	WASHER	2
									13	NUT	3
DIN 42530-68	1	630	-	-	-	75	60	10	14	WASHER	1
<b>1kV/630A</b>	<b>178</b>	<b>82</b>	<b>37</b>	<b>M20</b>	<b>∅ 70</b>	<b>∅ 85</b>	<b>∅ 45</b>	<b>2.0 kg</b>			
<b>1kV/250A</b>	<b>138</b>	<b>68</b>	<b>25</b>	<b>M12</b>	<b>∅ 50</b>	<b>∅ 60</b>	<b>∅ 28</b>	<b>0.7 kg</b>			
<b>TYPE</b>	<b>A(Max)</b>	<b>B</b>	<b>C</b>	<b>D</b>	<b>D1</b>	<b>D2</b>	<b>Tank Hole</b>	<b>Weight</b>			